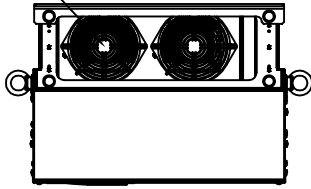
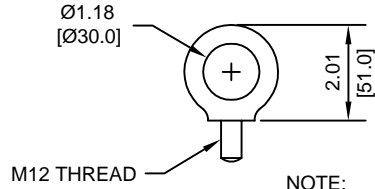


(2) EXTERNAL COOLING FANS

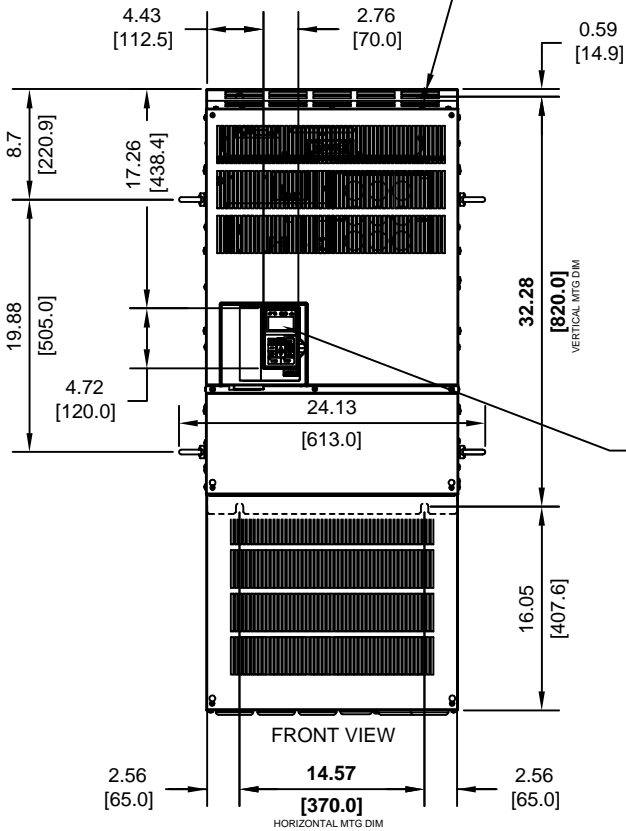


LIFTING AND EYEBOLT DETAILS



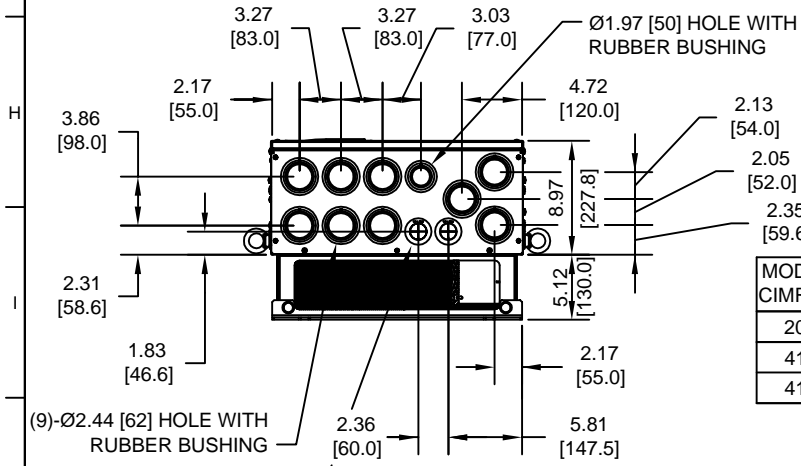
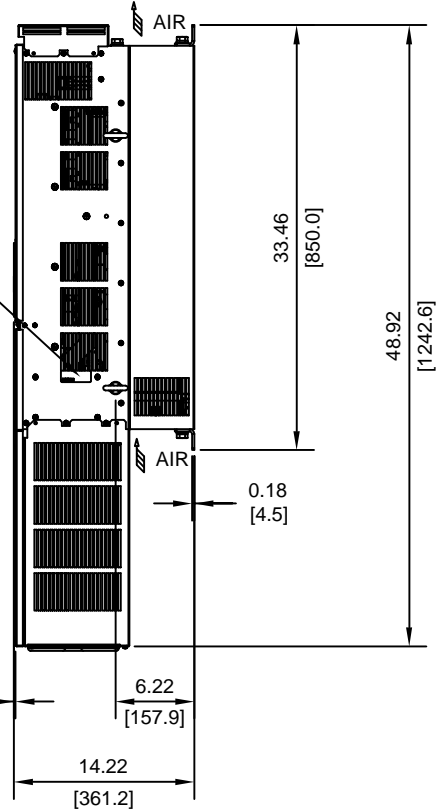
NOTE:
SPREADER BAR REQUIRED TO AVOID DAMAGE DURING LIFTING

(4)-MOUNTING HOLES FOR 1/2"[M12] SCREWS



NAMEPLATE

DIGITAL OPERATOR



MODEL # CIMR-P7U	VOLTAGE (VAC)	OUTPUT CURRENT (A)	WEIGHT LBS (Kg)	HEAT LOSS (W)		
				INT	EXT	TOTAL
2090	208/230	360	251 (114)	964	2194	3158
4110	480	240	268 (122)	847	1889	2736
4132		260	286 (130)	1005	2388	3393

INT=INTERNAL COMPONENTS
EXT=EXTERNAL HEATSINK

FOR ADDITIONAL DETAILS AND SPECIFICATIONS, CONSULT MANUAL

TOLERANCES/REFERENCES:

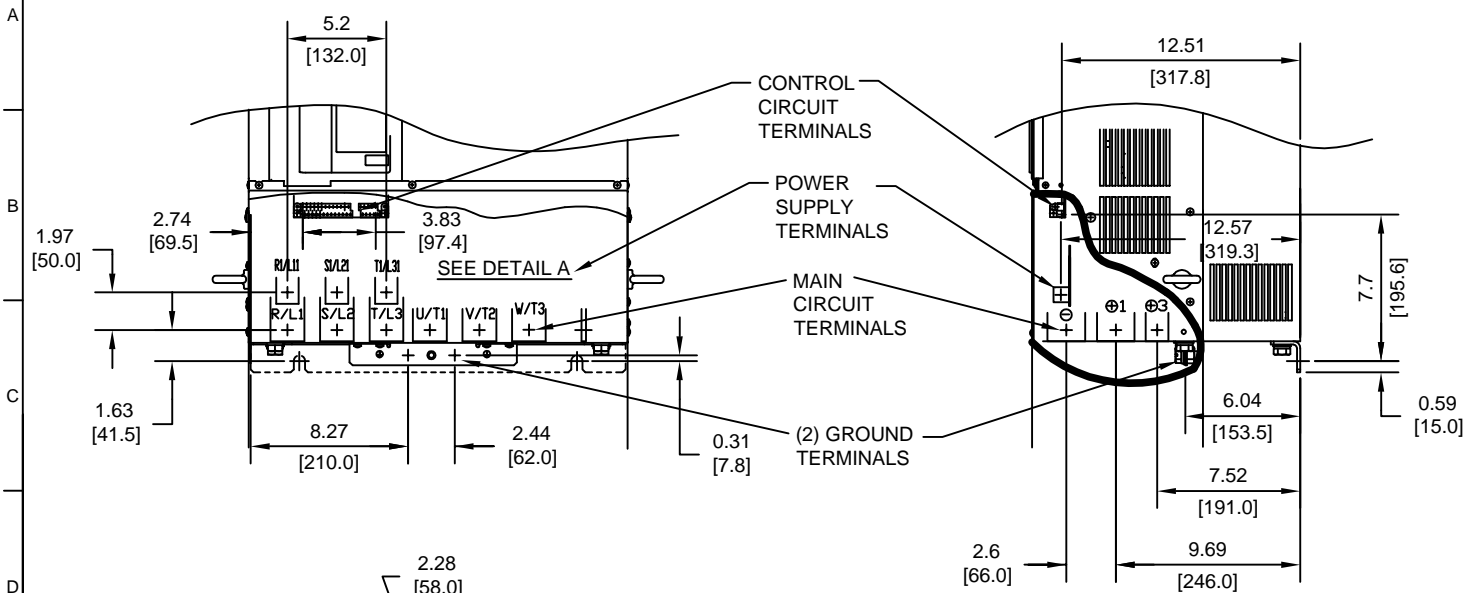
UNITS: IN[mm] SCALE: 1:15

YASKAWA
A World of Automation Solutions™

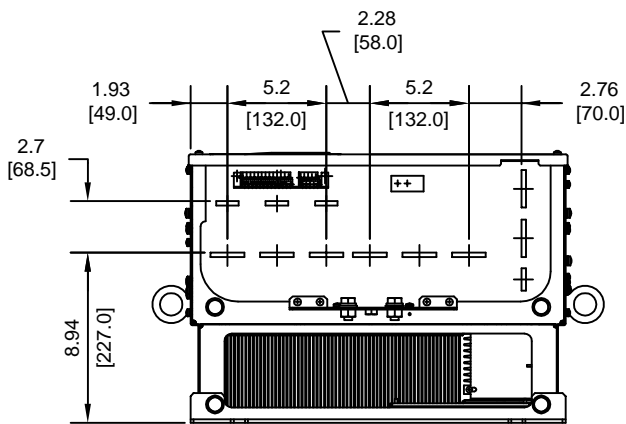
YASKAWA ELECTRIC AMERICA, INC.
Corporate Headquarters
2121 Norman Drive South
Waukegan, IL 60085
1-800-YASKAWA
http://www.yaskawa.com

DRAWN: J. MATTAS	DATE 3-30-05	TITLE: P7 DIMENSION DRAWING
CHECKED: M. RUCINSKI	DATE 5-3-05	FRAME SIZE 11
TECH: J. CAIRO	DATE 4-3-05	NEMA TYPE 1/P20 ENCLOSURE
APPROVED: T. SASADA	DATE 6-8-05	P7U2090, 4110 TO 4132
ORIGINAL DESIGN: -	DATE -	SIZE: A REVISION: R00 PAGE: 1 of 3
DRAWING #: DD.P7.FR11.N1.01		

TERMINAL AND WIRING DETAILS (SCALE 1:10)

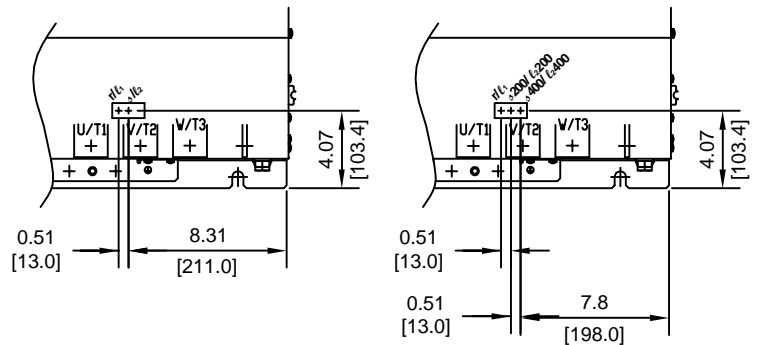


DETAIL A (SCALE 1:10)



MODEL P7U2090

MODELS P7U4110 AND P7U4132



TERMINAL SPECIFICATIONS FOR MAIN CIRCUIT AND GROUND

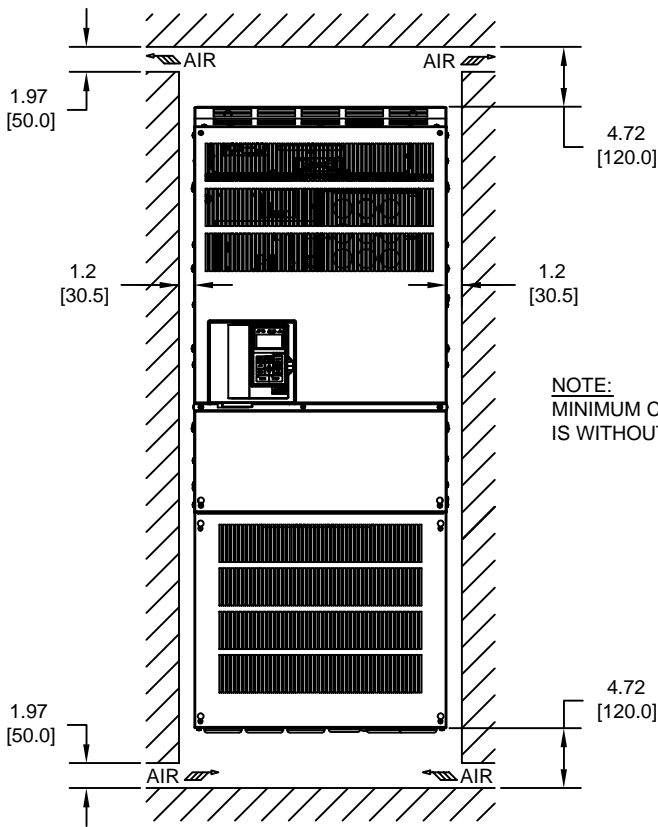
MODEL # CIMR-P7U	TERMINAL SYMBOL	TERMINAL SCREW	CLAMPING TORQUE lb.in.(N.m.)
2090	R/L1, S/L2, T/L3, ⊙ ⊕1 ⊕, U/T1, V/T2, W/T3, R1/L11, S1/L21, T1/L31	M12	276 TO 345 (31.4 TO 39.2)
	⊕3	M8	78.0 TO 95.0 (8.8 TO 10.8)
	rℓ1, sℓ2	M4	11.4 TO 12.3 (1.3 TO 1.4)
4110	R/L1, S/L2, T/L3, ⊙ ⊕1, U/T1, V/T2, W/T3, R1/L11, S1/L21, T1/L31	M10	155 TO 198 (17.6 TO 22.5)
	⊕3	M8	78.0 TO 95.0 (8.8 TO 10.8)
	⊕	M12	276 TO 345 (31.4 TO 39.2)
	rℓ1, s200/ℓ2200, s400/ℓ2400	M4	11.4 TO 12.3 (1.3 TO 1.4)
4132	R/L1, S/L2, T/L3, ⊙ ⊕1, U/T1, V/T2, W/T3, R1/L11, S1/L21, T1/L31	M10	155 TO 198 (17.6 TO 22.5)
	⊕3	M8	78.0 TO 95.0 (8.8 TO 10.8)
	⊕	M12	276 TO 345 (31.4 TO 39.2)
	rℓ1, s200/ℓ2200, s400/ℓ2400	M4	11.4 TO 12.3 (1.3 TO 1.4)

NOTE: REFER TO APPLICABLE CODES FOR PROPER WIRE TYPE AND SIZE

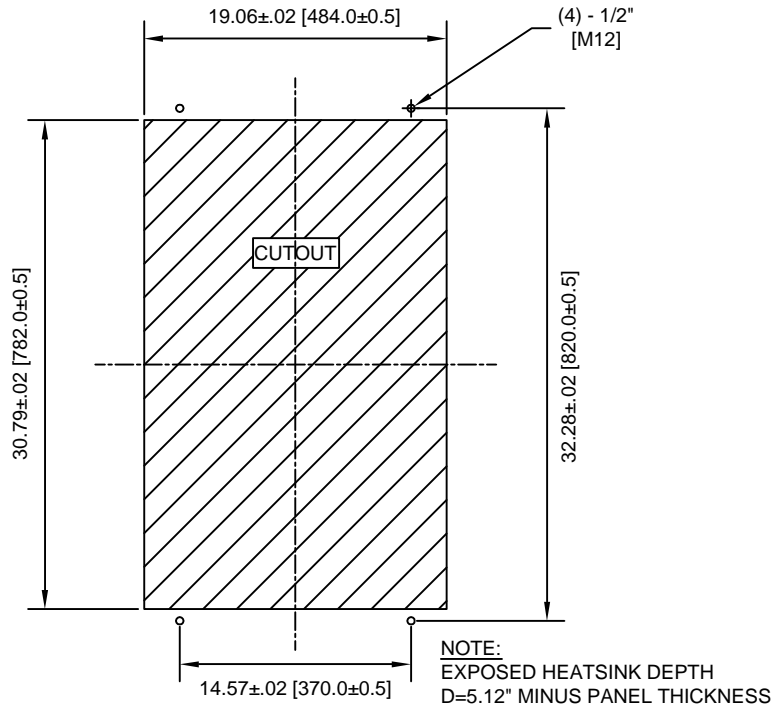
FOR ADDITIONAL DETAILS AND SPECIFICATIONS, CONSULT MANUAL

TOLERANCES/REFERENCES: - - - -	<p>YASKAWA A World of Automation Solutions™</p> <p>YASKAWA ELECTRIC AMERICA, INC. Corporate Headquarters 2121 Norman Drive South Waukegan, IL 60085 1-800-YASKAWA http://www.yaskawa.com</p>	DRAWN: J. MATTAS	DATE 3-30-05	TITLE: P7 DIMENSION DRAWING		
		CHECKED: M. RUCINSKI	DATE 5-3-05	FRAME SIZE 11		
		TECH: J. CAIRO	DATE 4-3-05	NEMA TYPE 1/P20 ENCLOSURE		
		APPROVED: T. SASADA	DATE 6-8-05	P7U2090, 4110 TO 4132		
UNITS: IN[mm]	SCALE: BY VIEW	ORIGINAL DESIGN: -	DATE -	SIZE A	REVISION R00	PAGE 2 of 3
				DRAWING #: DD.P7.FR11.N1.01		


MINIMUM INSTALLATION CLEARANCES (SCALE 1:15)



PANEL CUTOUT FOR EXTERNAL HEATSINK MOUNTING CONFIGURATION (SCALE 1:12)



FOR ADDITIONAL DETAILS AND SPECIFICATIONS, CONSULT MANUAL

TOLERANCES/REFERENCES: -		 YASKAWA <i>A World of Automation Solutions™</i> YASKAWA ELECTRIC AMERICA, INC. Corporate Headquarters 2121 Norman Drive South Waukegan, IL 60085 1-800-YASKAWA http://www.yaskawa.com	DRAWN: J. MATTAS DATE: 3-30-05	TITLE: P7 DIMENSION DRAWING			
UNITS: IN[mm]	SCALE: BY VIEW		CHECKED: M. RUCINSKI DATE: 5-3-05	TECH: J. CAIRO DATE: 4-3-05	FRAME SIZE 11 NEMA TYPE 1/P20 ENCLOSURE P7U2090, 4110 TO 4132	SIZE A	REVISION R00
		APPROVED: T. SASADA DATE: 6-6-05	ORIGINAL DESIGN: -	DRAWING #: DD.P7.FR11.N1.01			